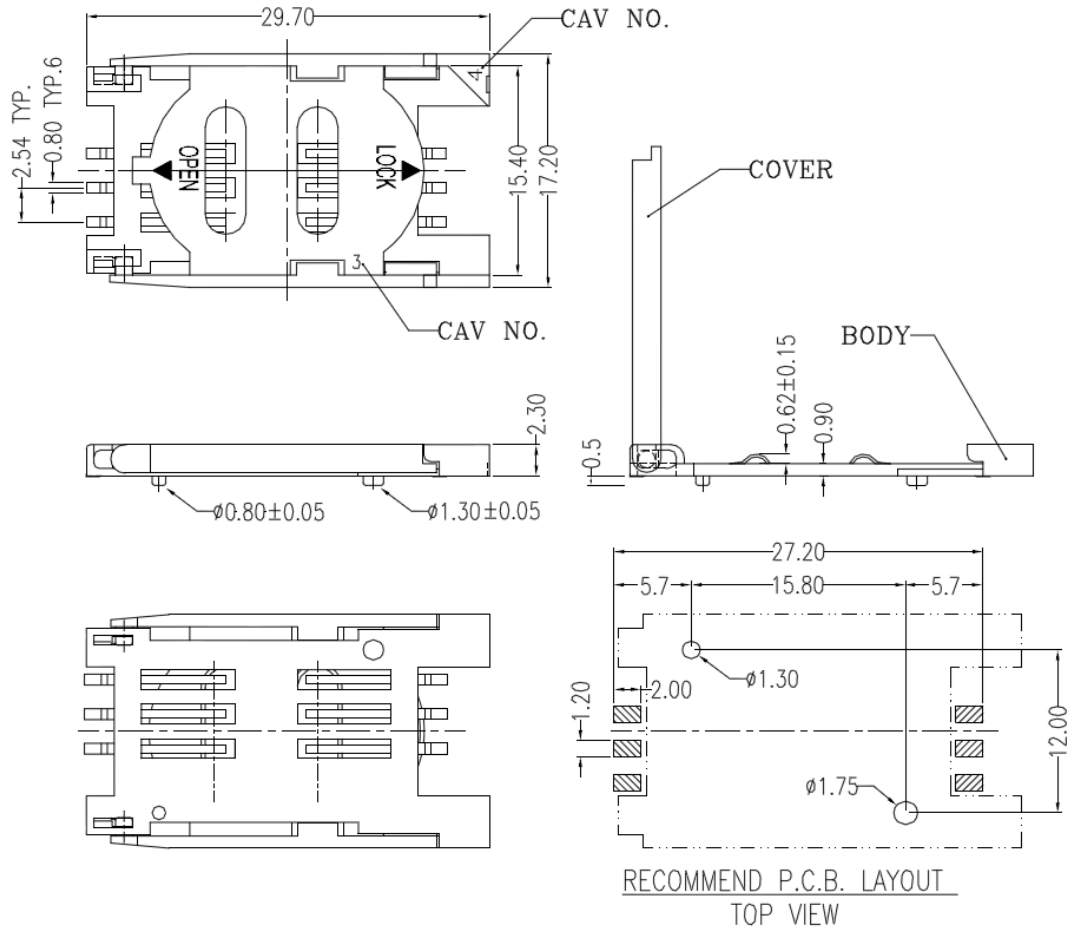


SCH01 SIM CARD HOLDER



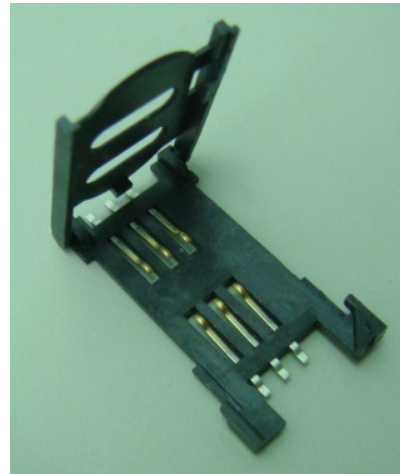
NOTES

*Material:

- 1.Body: PPS UL 94V-0 Rated, Color:Black;
- 2.Cover: PPS UL 94V-0 Rated, Color:Black;
- 3.Contact: Phosphor Bronze;
- 4.Contact Plating: Gold Plating Over Nickel on Contact Area, Tin Plating on Solder Tail.

*Specification:

- 1.Current Rating: 0.5 AMP. Max.;
- 2.Dielectric Withstanding Voltage: 500V AC R.M.S For One Minute;
- 3.Insulation Resistance: 1000 M Ohms Min. AT 500V AC;
- 4.Contact Resistance: 30 M Ohms Max.;
- 5.Operating Temperature: -25°C to +85°C;
- 6.Processing Temp: 230°C for 30~60 Seconds Max.;
- 7.Durability: 5000 Cycles.





650pcs/Reel

REYAX TECHNOLOGY CO.,LTD.

Address : 7F., No.24, Ln. 123, Sec. 6, Minguan E. Rd., Neihu Dist., Taipei City, Taiwan

Web : <http://www.reyax.com>

Tel : +886-2-8791-3666 ; +886-2-2627-2777

Fax : +886-2-8791-3381 ; +886-2-2627-2781

E-mail : sales@reyax.com