



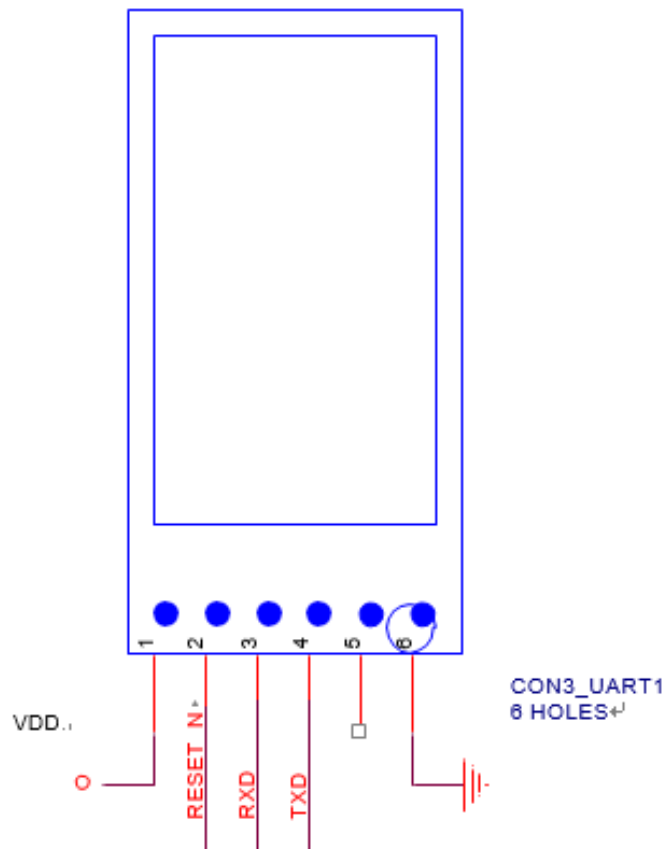
## PRODUCT DESCRIPTION

The RYB070I\_lite is based on REYAX RYB070I, RYB070I\_lite integrated power and pins, it is designed for BLE applications, Developers can use a simple AT command MCU then connectivity products to the BLE device and smartphone.

## SPECIFICATION

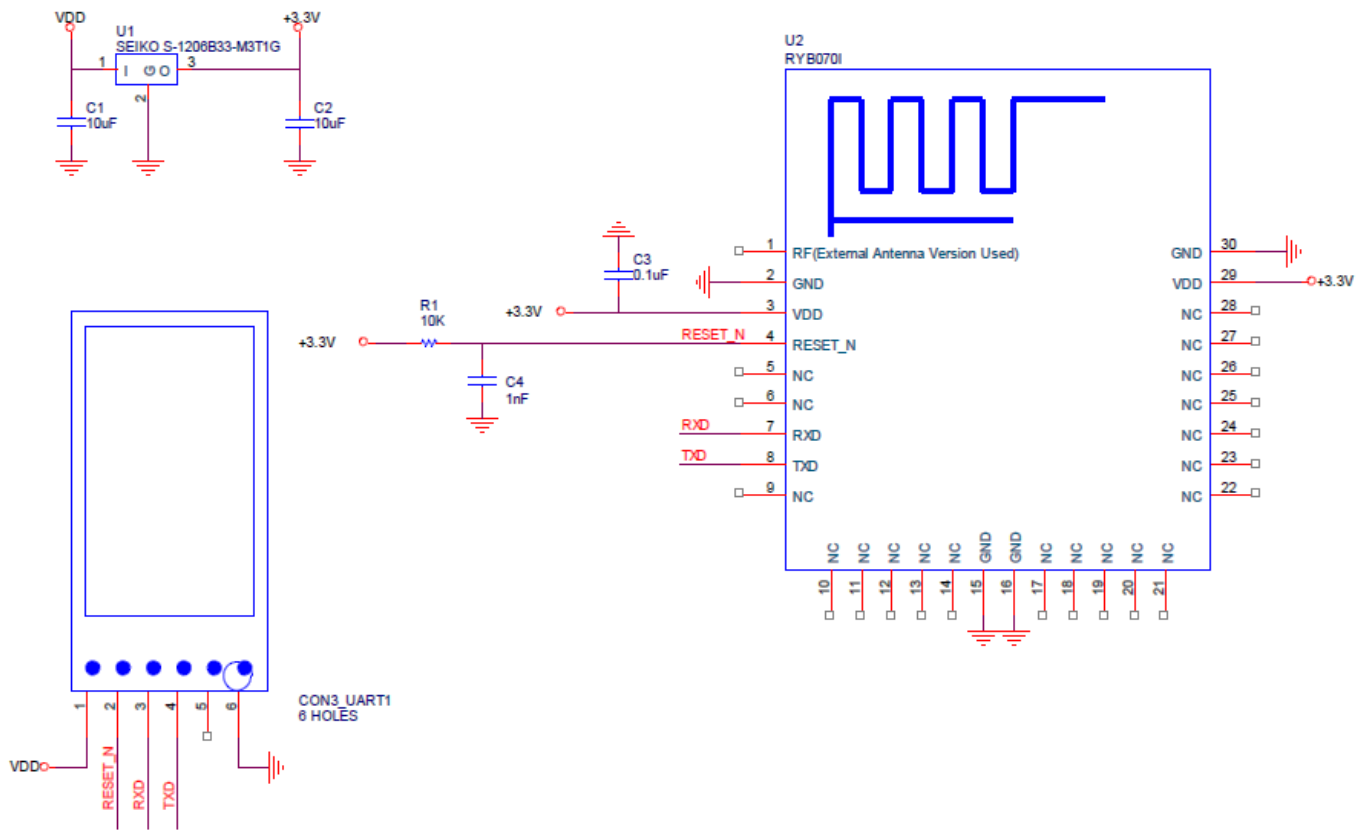
Item	Min.	Typical	Max.	Unit	Condition
Operation Voltage	3.45		6.5	V	VDD
Digital I/O Voltage		3.3		V	TXD, RXD
Baud Rate		9600	57600	bps	
Operating Temperature	-40	25	+85	°C	
Antenna					Embedded PCB Antenna
Dimensions					
Weight		5		g	

## PIN DESCRIPTION

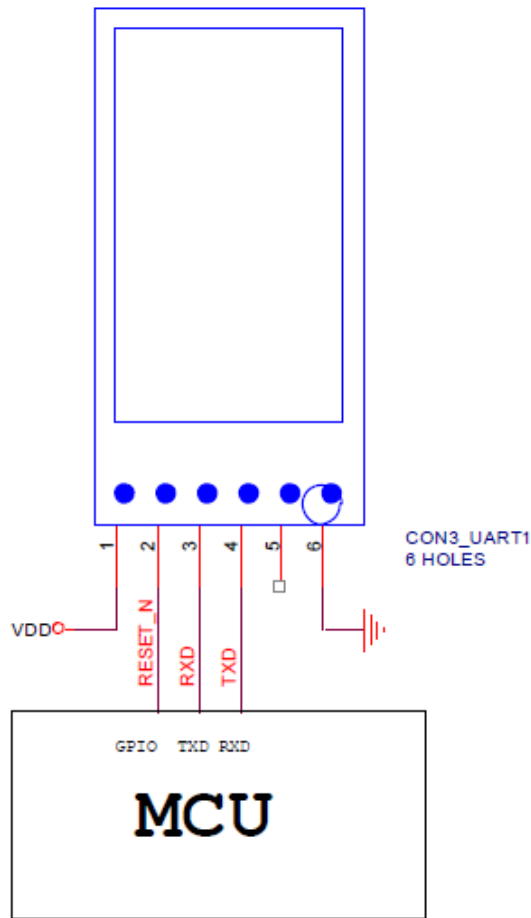


Pin	Name	I/O	Condition
1	VDD	I	Power Supply
2	RESET_N	I	Low Reset
3	RXD	I	UART Data Input
4	TXD	O	UART Data Output
5	NC	-	
6	GND	-	Ground

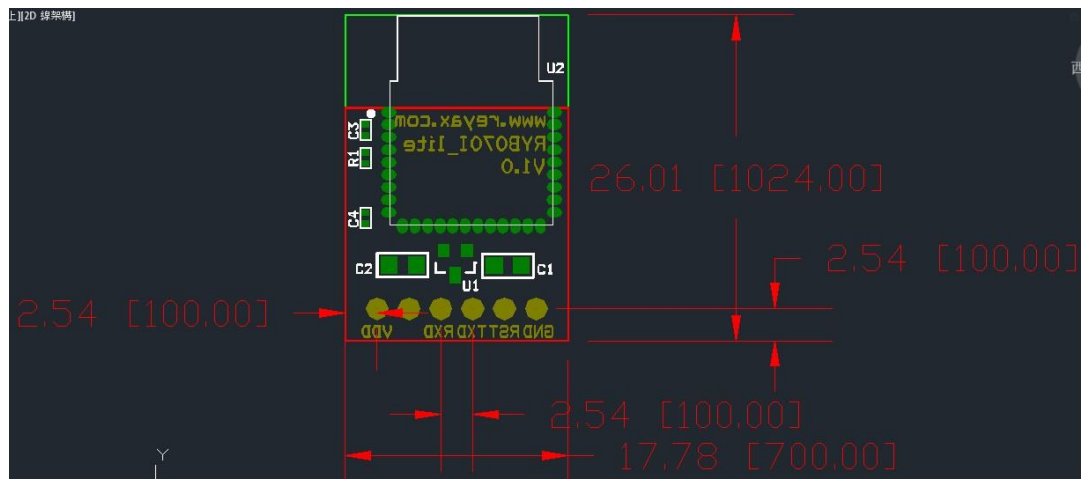
# SCHEMATIC



## APPLICATION SCHEMATIC



## DIMENSIONS



Unit : mm[mil]

PCB Thickness : 1mm

## USB TO UART TOOL



**REYAX**  
TECHNOLOGY CORPORATION, LTD

**Taiwan:** sales@reyax.com  
**China:** sales@reyax.com.cn  
<http://reyax.com>