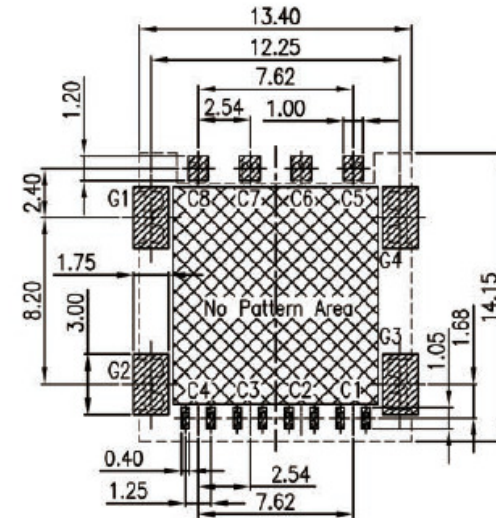
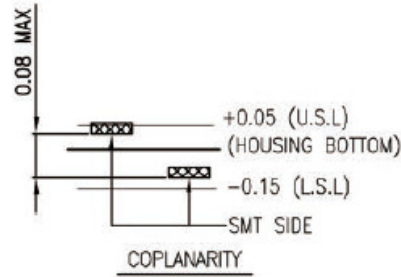
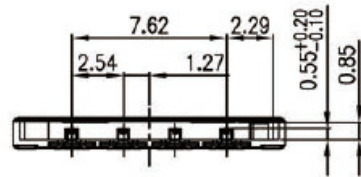
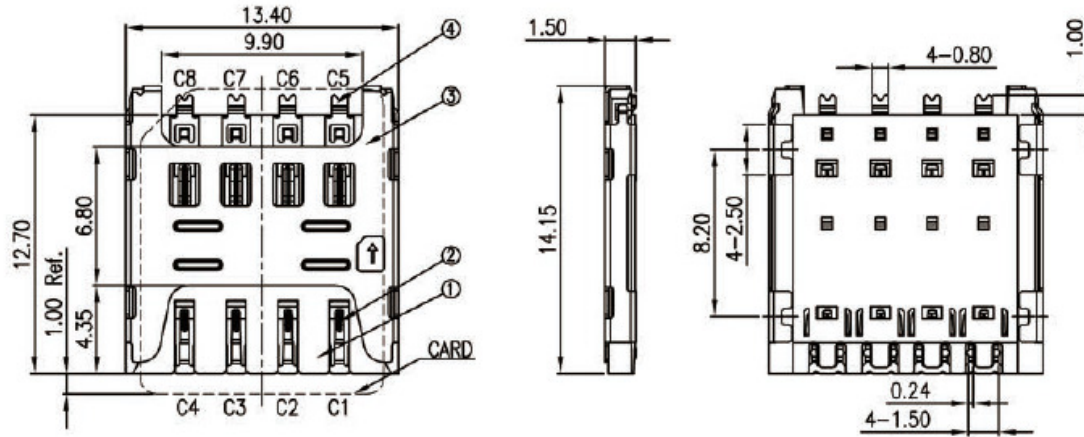


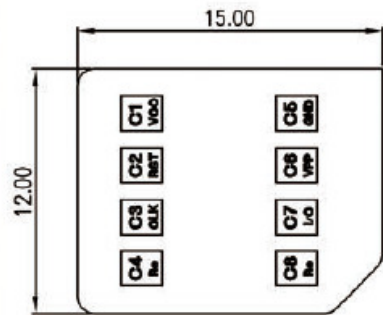
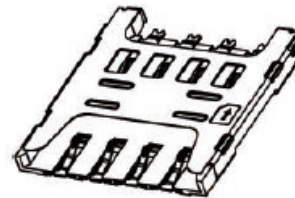
*所有原料材質,生產製程,電鍍必須符合ROHS要求



RECOMMENDED PCB LAYOUT(TOLERANCE ±0.05)
RECOMMENDED MATAL MASK T=0.12MM

NOTES:

1. MATERIAL:
 - 1.1 SHELL:STAINLESS STEEL
 - 1.2 HOUSING:THERMOPLASTIC,UL94V-0,COLOR:BLACK
 - 1.3 TERMINAL:COPPER ALLOY
2. SPECIALITY:
 - 2.1 RATED CURRENT:1.0A
 - 2.2 RATED VOLTAGE:30V
 - 2.3 CONTACT RESISTANCE:30MΩ MAX
 - 2.4 INSULATION RESISTANCE:1000MΩ MIN 500V DC
 - 2.5 DIELECTRIC WITHSTANDING VOLTAGE: 500V DC.
 - 2.6 SOLDER ABILITY:250±5°C, 10±0.5S.
 - 2.7 DURABILITY:5000 CYCLES MIN.CONTACT RESISTANCE100MΩMAX
 - 2.8 OPERATING CONDITION:TEMPERATURE-40°C~+85°C;
HUMIDITY 80% R.H MAX



SIM CARD

PIN No.	DESCRIPTION
C1	VCC (SUPPLY VOLTAGE)
C2	RST (RESET SIGNAL)
C3	CLK (CLOCK SIGNAL)
C4	RESERVED
C5	GND
C6	VPP (VARIABLE SUPPLY VLOTAGE)
C7	I/O (DATA INPUT/OUTPUT)
C8	RESERVED
G1~G4	GND

REYAX TECHNOLOGY CO., LTD.

DIMENSIONS UNIT: mm	
UNLESS OTHERWISE SPECIFIABLE	
DEVISION	TOLERANCE
L.L. ±	0.15
X.CC ±	0.10
X.CC ±	0.05
ANGULAR ±	1°

micro sim 1*8P 1.5H 抽屜式	DRAWING: Jennie	DATE: 2014/04/10
RYSP10I	CHECK: Rancy	DATE: 2014/04/11
		DATE: 2014/04/11
SCALE: 1:1	DWG ID: c d	REV.: A
		PAGE: 1 of 1

REVISION NO.	ECR NO.	DESCRIPTION	MARK	DATE
--------------	---------	-------------	------	------