

RXB0801_lite

2.4GHz BLE 4.2 & 5.0 Module breakout board

Datasheet

5



RXB080I_lite 为使用 REYAX RXB080I 并集成电源和引脚，它专为 BLE 应用而设计，开发人员可以使用简单的 AT 命令 MCU，然后将产品连接到 BLE 设备和智能手机。

可符合法规

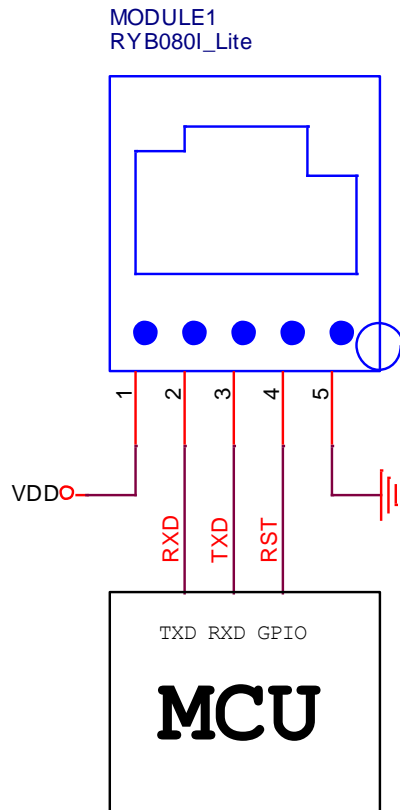
- FCC CFR47 Part 15 (US)
- NCC (Taiwan)
- MIC (Japan)

SPECIFICATION

Item	Min.	Typical	Max.	Unit	Condition
Operation Voltage	1.8		3.8	V	VDD
Digital I/O Voltage		3.3		V	RST, TXD, RXD
Baud Rate		9600	115200	bps	
Operating Temperature	-40	25	+85	°C	
Antenna					Embedded PCB Antenna
Dimensions					
Weight		5		g	

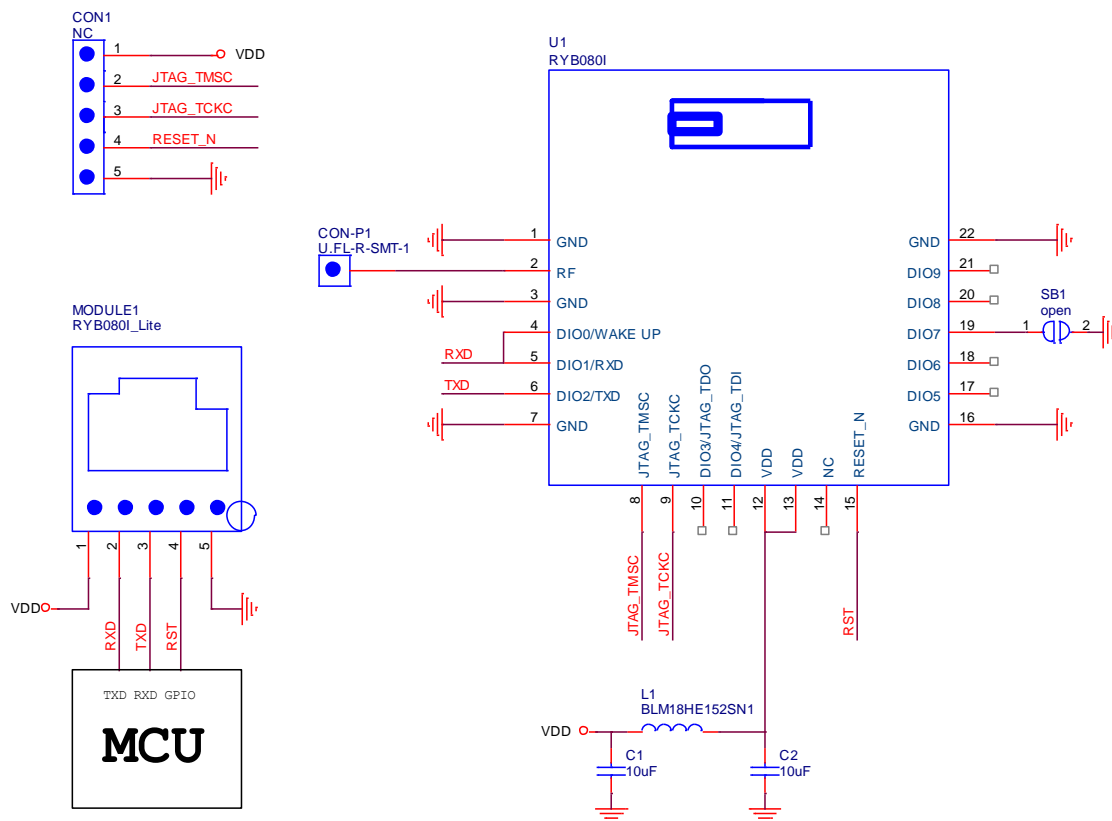
*详细规格请参考 RXB080I。

PIN DESCRIPTION



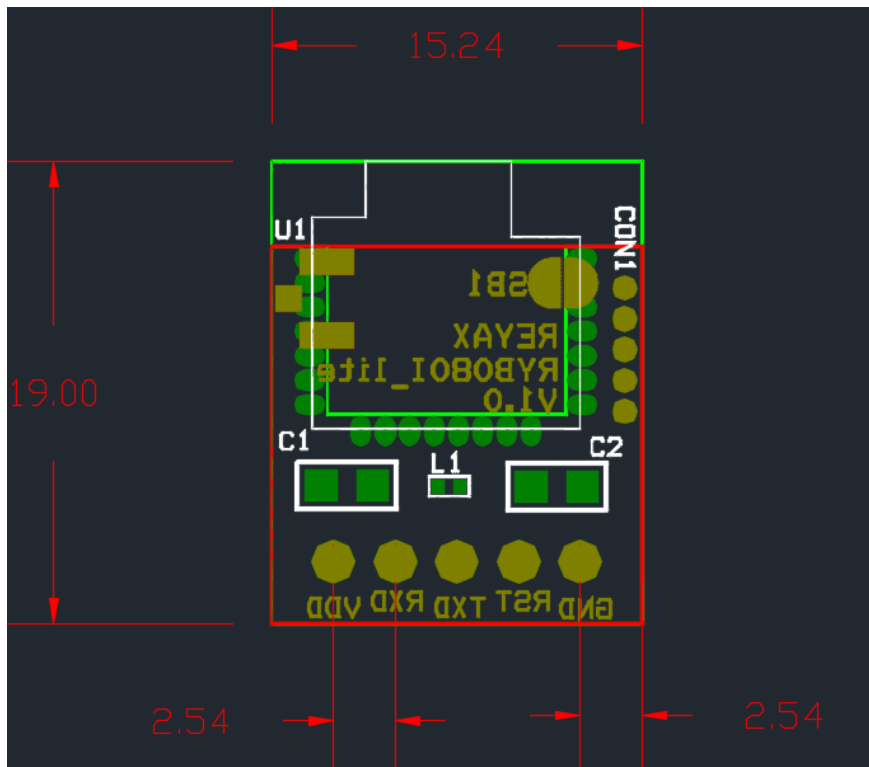
Pin	Name	I/O	Condition
1	VDD	I	Power Supply
2	RXD	I	UART Data Input
3	TXD	O	UART Data Output
4	RST	I	Low Reset
5	GND	-	Ground

RYB080I_Lite SCHEMATIC



Title		
REYAX RYB080I_lite		
Size	Document Number	Rev
Custom<Doc>		1.0
Date:	Sunday, May 13, 2018	Sheet 1 of 1

DIMENSIONS



Unit : mm

PCB Thickness : 1mm

REYAX
TECHNOLOGY CORPORATION, LTD

Taiwan: sales@reyax.com
China: sales@reyax.com.cn
<http://reyax.com>