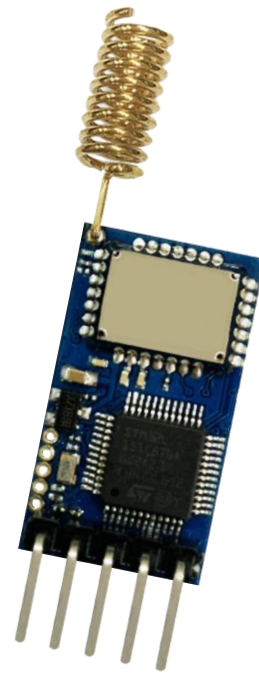


RYLR907

UART Interface
868/915 MHz Lora
Antenna Transceiver Module

Datasheet



产品介绍

RYLR907 收发模块的特点在于采用 LoRa 长距离调制解调器，提供超长距离扩频通信和高抗干扰性，并同时最大限度地降低其电流消耗。

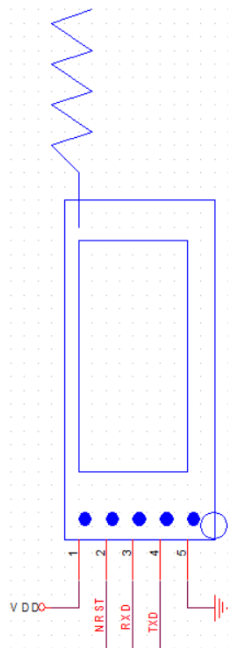
功能与特色

- Semtech SX1262 核心
- 优异的隔绝干扰抑制
- 低接收电流
- 频道动作侦测省电 CAD 接收模式
- 高灵敏度
- 利用 AT Commands 控制，易于操作
- 内建天线
- AES128 数据加密

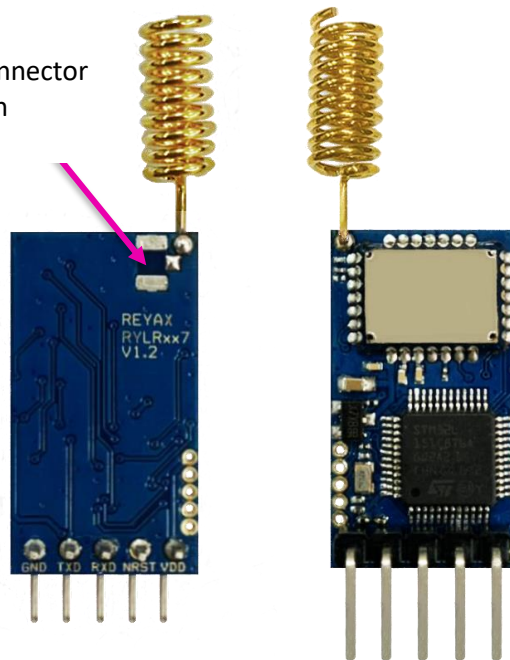
应用范围

- 物联网应用
- 移动设备
- 家庭保全
- 工业监控和控制设备
- 汽车警报

PIN DESCRIPTION

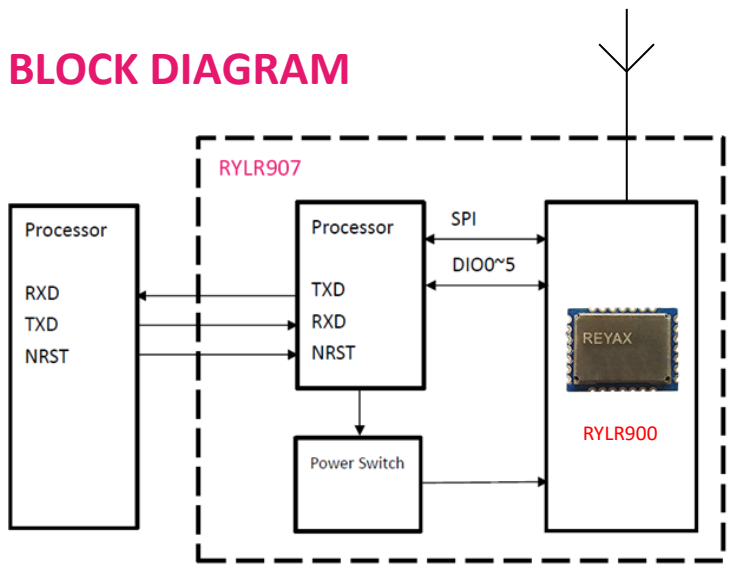


U.FL-R-SMT-1 connector reserved position



Pin	Name	I/O	Condition
1	VDD	I	Power Supply
2	NRST	I	RESET(Active Low) 100K Ω Internal pull up, Pull down at least 100ms
3	RXD	I	UART Data Input
4	TXD	O	UART Data Output
5	GND	-	Ground

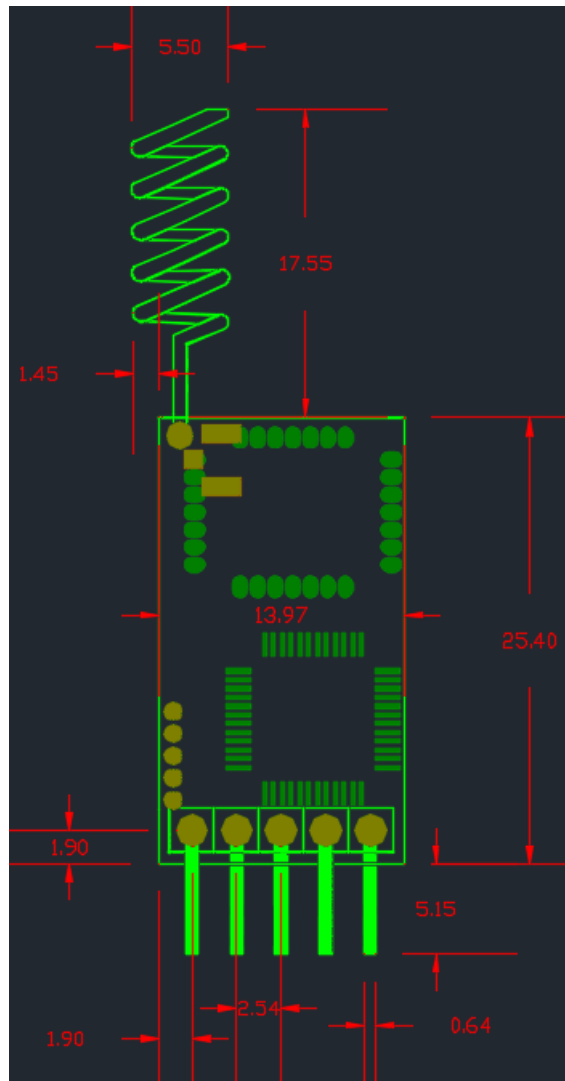
BLOCK DIAGRAM



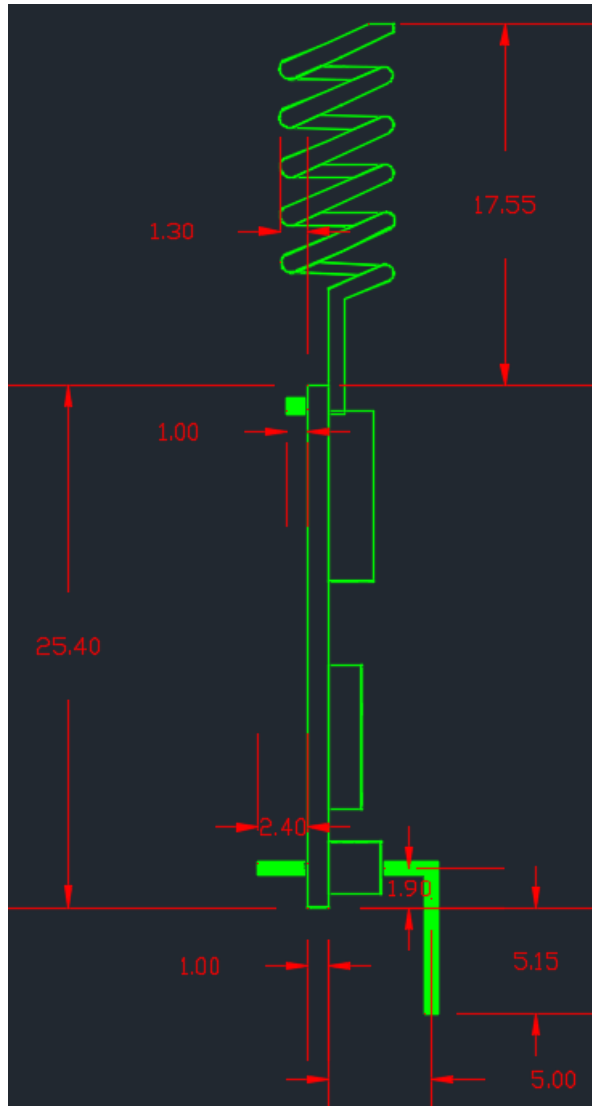
SPECIFICATION

Item	Min.	Typical	Max.	Unit	Condition
VDD Power Supply	2	3.3	3.6	V	VDD
RF Output Power Range	-4		22	dBm	
Filter insertion loss	1	2	3	dB	
RF Sensitivity	-148			dBm	
RF Input Level			10	dBm	
Frequency Range	820	868/915	960	MHz	
Frequency Accuracy		±2		ppm	
Communication Range				KM	Depend on RF parameter
Transmit Mode Current		140		mA	RFOP = +22dBm
Receive Mode Current		10.4		mA	AT+MODE=0, AT+RXBOOST=1
		9.9		mA	AT+MODE=0, AT+RXBOOST=0
CAD Mode Receive Current		2.3		mA	AT+MODE=2
Sleep Current		0.5		uA	AT+MODE=1
Digital Input Level High	0.7*VDD		VDD	V	VIH
Digital Input Level Low	0		0.3*VDD	V	VIL
Digital Output Level High	0.9		VDD	V	VOH
Digital Output Level Low			0.1	V	VOL
Cycling (erase / write) EEPROM data memory		300		K	Cycles
Weight		7		g	
Operating Temperature	-40	25	+85	°C	

DIMENSIONS



Unit : mm



Unit : mm

REYAX
TECHNOLOGY CORPORATION, LTD

Taiwan: sales@reyax.com
China: sales@reyax.com.cn
<http://reyax.com>