

RYAGN3D

L1/L5 multi-band high precision GNSS active antenna

Datasheet



PRODUCT DESCRIPTION

The high performance RYAGN3D L1/L5 multi-band high precision GNSS active antenna with integrated low-noise amplifier (LNA) & Filter is the perfect match to any L1/L5 multi-band receivers where high sensitivity and optimum sky coverage are essential.

FEATURES

- Built-in low noise amplifier with 30dB gain and 1dB noise figure
- 3M coaxial cable
- Magnetic base suitable for mounting on car roof.
- Industrial temperature range: -40°C to $+85^{\circ}\text{C}$
- Wide range of supply voltage: +2.7 to 5V
- Low power consumption.

BENEFITS

- Easy to use
- Compact size
- High performance
- Fast and easy integration
- No antenna know-how necessary

STANDARD RF CONNECTOR

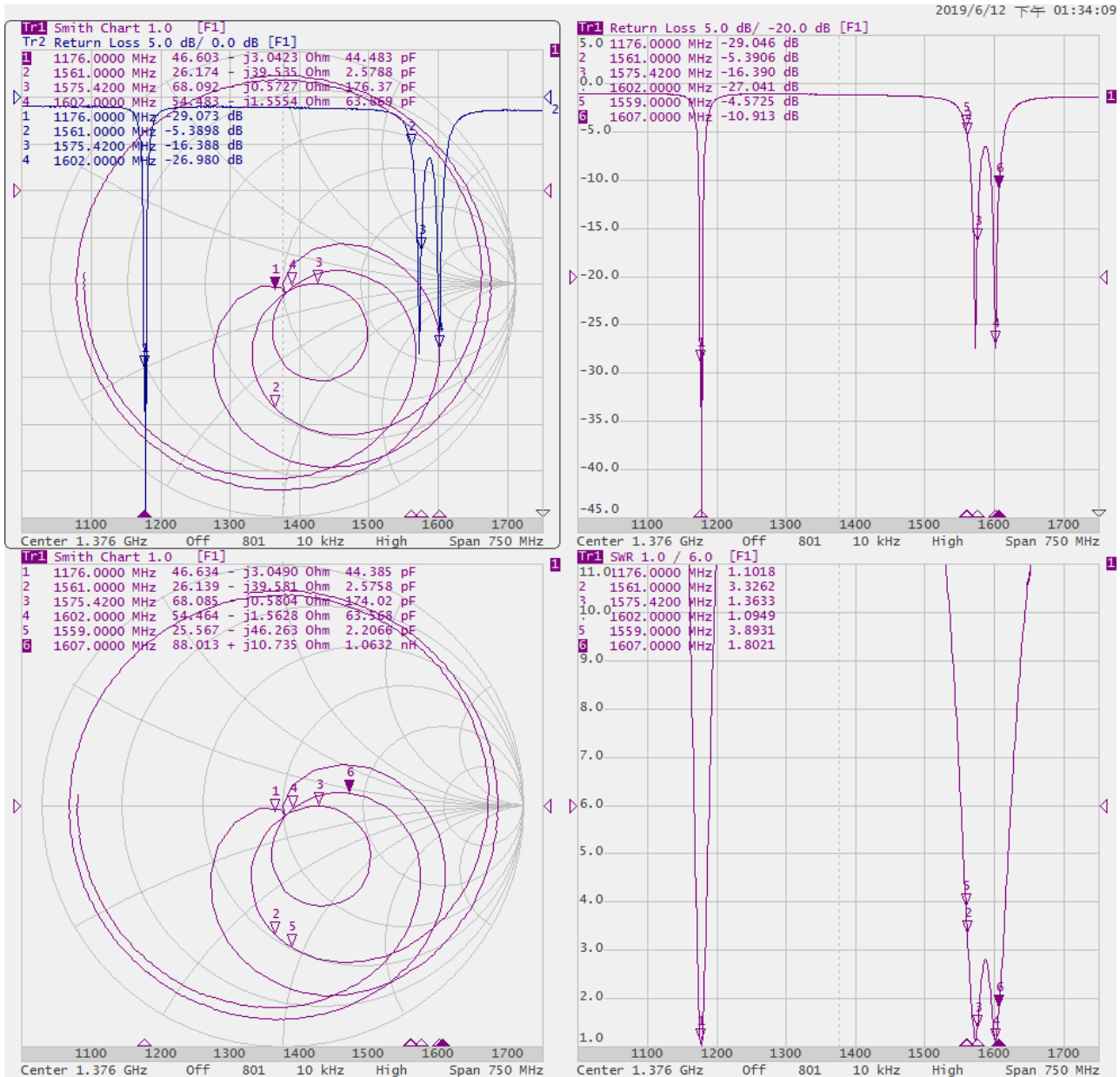
- SMA nickel plating



SPECIFICATION

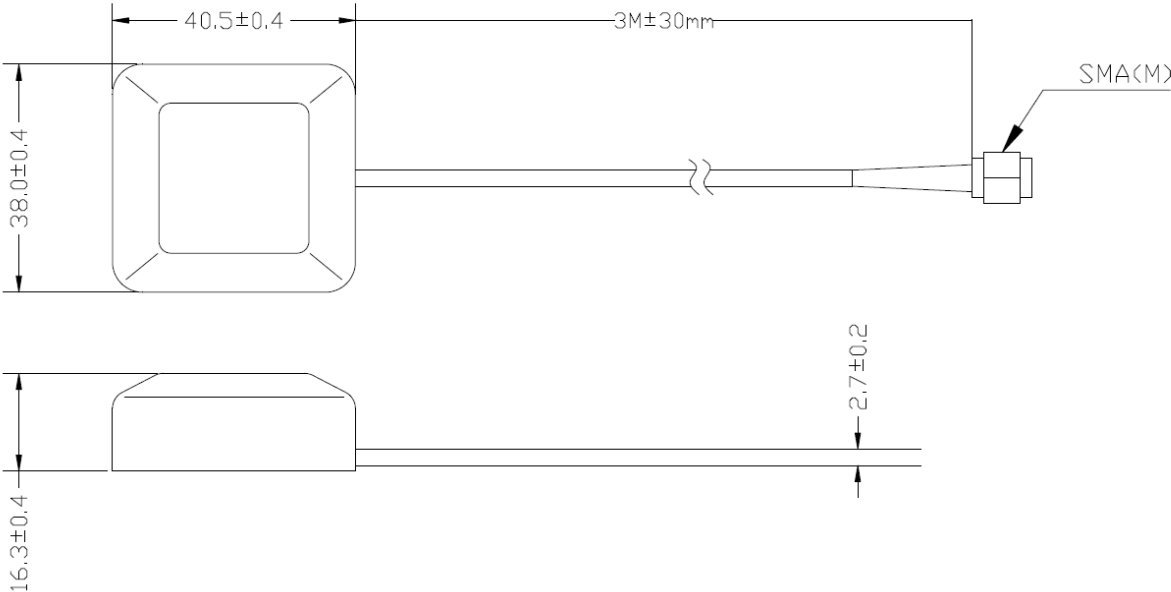
Item	Min.	Typ	Max.	Unit	Condition
Operation Voltage	+2.7	+3.3	+5	V	
Current		10	15	mA	+3.3V
Center Frequency		1561±2.046		MHz	L1 Beidou
Center Frequency		1575.42±1.023		MHz	L1 GPS/Galileo
Center Frequency		1602±8		MHz	L1 Glonass
Center Frequency		1176 ±10		MHz	L5
Antenna Impedance		50		Ω	
Polarization					R.H.C.P
LNA Gain	24		30.5	dB	
Antenna Gain	0		3.5	dB	
Noise Figure		1		dB	
V.S.W.R			2		
Cable	2.97	3	3.03	M	RG174 Standard
Operating Temperature	-40	25	+85	°C	
Mounting					Magnetic base
Housing color					Black

RETURN LOSS



Frequency	Return Loss(dB)	Impedance(Ohm)	VSWR
1176MHz	-29.04	46.63-j03.04	1.10
1559MHz	-4.57	25.56-j46.26	3.89
1561MHz	-5.39	26.13-j39.58	3.32
1575.42MHz	-16.39	68.08-j00.58	1.36
Center Frequency	-27.04	54.46-j01.56	1.09
Center Frequency	-10.91	88.01+j10.73	1.80

DIMENSION



E-mail : sales@reyax.com
Website : <http://reyax.com>